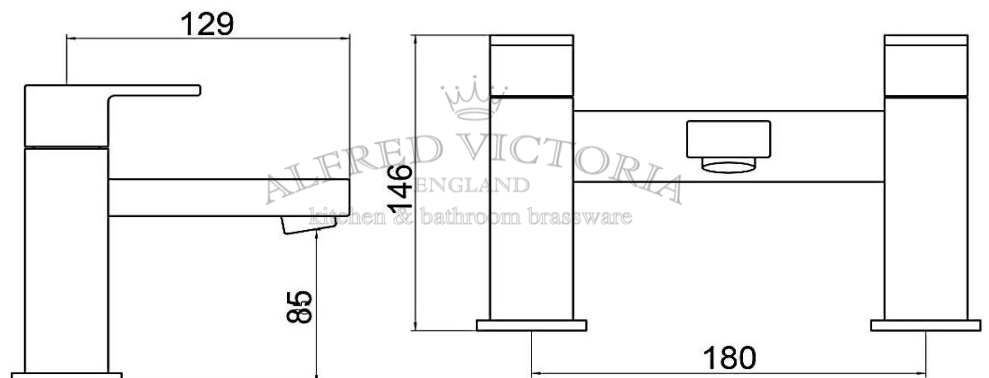


TECHNICAL DATA SHEET

EC03 Bath Filler

Barcode	7081248239288
Product Code	EC03
Construction	Brass Body CuZn40Pb2, EN CW617N (equivalent to BS CZ122)
Finishes	Chrome plated to BS EN 248
Product Type	Contemporary
Water Pressure	Min. 0.5 bar, Max. 6.0 bar
Plumbing Systems	Suitable for all plumbing systems
Standards	Complies with BS5412, BS EN200
Certification	Manufactured to comply with WRAS
Cartridge	1/4 Turn 3/4" Ceramic Disc Valves
Fitting	Brass 3/4" BSP Tails
Aerator	Laminar
Packaging	51.5 x 26 x 35cm / carton (4 boxes / carton)
Guarantee	10 years against manufacturing faults (excluding serviceable parts).

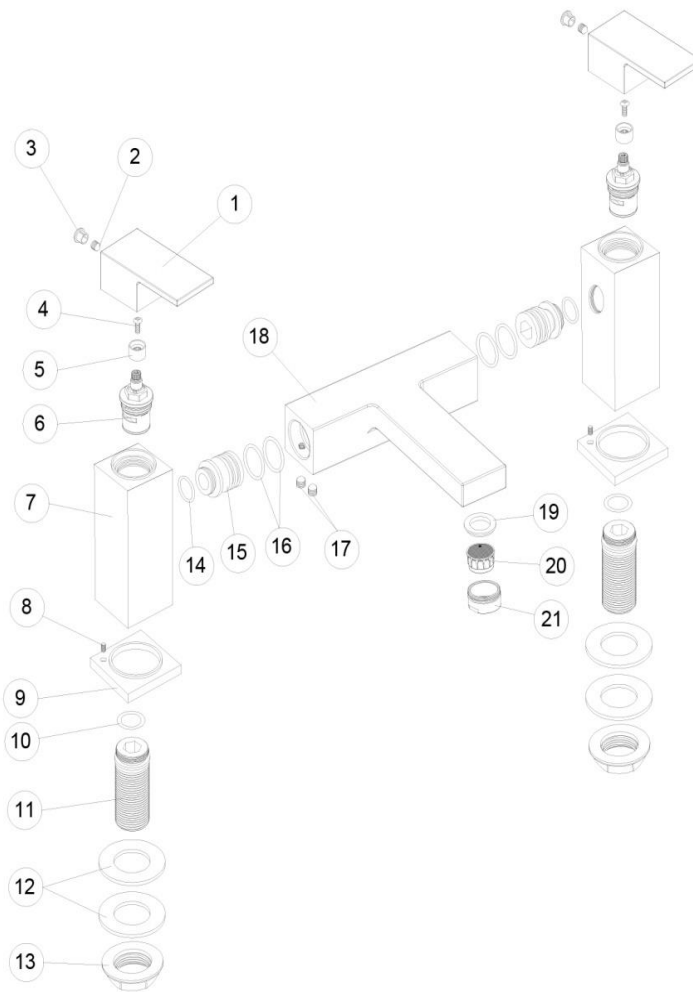


Flow Rates (Litres per minute)


System Pressure	0.1 Bar	0.2 Bar	0.3 Bar	0.5 Bar	1.0 Bar	1.5 Bar	2.0 Bar	3.0 Bar	4.0 Bar	5.0 Bar
EC03	5.0	7.9	-	13.2	20.0	22.6	24.1	28.0	-	-

The information contained on this page was correct at date of issue. Fitting dimensions are provided as a guide only. Some variation may occur due to manufacturing tolerances. We pursue a policy of continuing improvement in design and performance of our products and so reserve the right to change specifications without prior notice.

EC03: Bath Filler



NO.	ITEM CODE	DESCRIPTION	QTY
1	EC03-01	HANDLES	2
2	EC03-02	SCREW	2
3	EC03-03	HANDLE COVER	2
4	EC03-04	SCREW	2
5	EC03-05	PVC Cover	2
6	EC03-06	G3/4" QUARTER-TURN CARTRIDGE	2
7	EC03-07	SIDE BODY	2
8	EC03-08	SCREW	2
9	EC03-09	BASE PLATE	2
10	EC03-10	"O" RING	2
11	EC03-11	G3/4" BSP Tails	2
12	EC03-12	WASHER	4
13	EC03-13	G3/4BACK NUT	2
14	EC03-14	"O" RING	2
15	EC03-15	CONNECTOR	2
16	EC03-16	"O" RING	4
17	EC03-17	SCREW	4
18	EC03-18	MIDDLE BODY	1
19	EC03-19	WASHER	1
20	EC03-20	NEOPERL AERATOR	1
21	EC03-21	M24*1 NOZZLE	1

Alfred Victoria Exploded Drawings			Material:	Assembly	Size:	A4
			(Date:D/M/Y)	Scale:	None	Issue No: 01
Drawn by:	Sherman	16/05/2016				
Checked by:	Lee	16/05/2016				
Approved by:	T. K.	16/05/2016				
Drawing Name:						